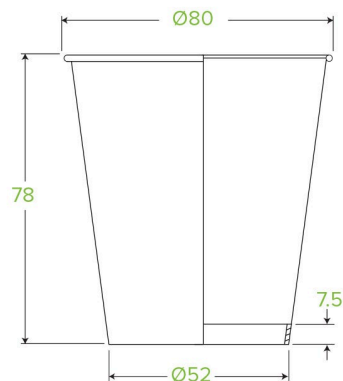


230ml / 6oz (80mm) Kraft Green Line Single Wall BioCup

BCK-6-GL



Carton quantity: 1000	Sleeves per carton: 20	Units per sleeve: 50
Carton Size LxWxH (cm): 41.0 x 34.0 x 46.0	Carton gross weight (kg): 7.200000	Carton barcode: 19344062022517
Raw material: Paper	Lining/coating: Bioplastic - Ingeo [®] PLA	Window material: None
Printing Type: Offset	Inks: Food Contact Safe Inks	Brim fill capacity (ml): 233
Dimensions top LxW (mm): 80x80	Dimensions base LxW (mm): 52x52	Product Depth: 78.0
Product weight (g): 6.7	Thickness: 228gsm + 35gsm PLA	Use: Hot and cold
Manufactured: Taiwan	Customise: Print	MOQ custom: 50000
Mould fees: No	Quality product certified: ISO 9001	Factory food safety certified: BRC, HACCP
Home compostable: No	Industrially compostable: Certified to AS4376 Australian Standards, Certified to EN13432 European Standard	Recyclable: No