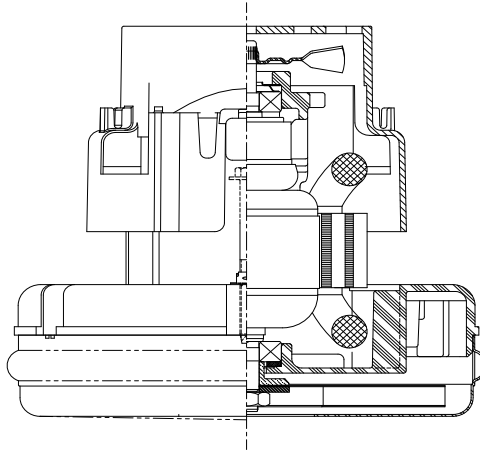


LAMB ELECTRIC

Model: 119702-00

DESCRIPTION

- One stage
- 220 volts
- 5.7"/145 mm diameter
- Double ball bearings
- Single speed
- Peripheral bypass discharge
- Thermoset fan end bracket
- Thermoset commutator bracket



SPECIAL FEATURES

- Suitable for 220 volt AC operation, 50/60 Hz
- UL recognized, category PRGY2 (E47185)
- No shaft extension
- Provision for grounding
- Skeleton-frame design
- The Lamb Electric vacuum motor line offers a wide range of performance levels to meet design needs

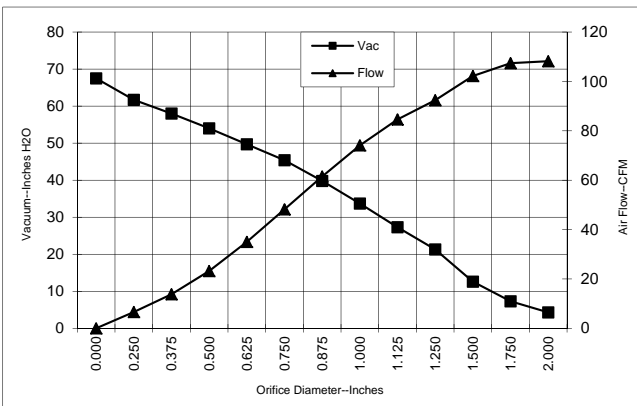
DESIGN APPLICATION

- Equipment operating in environments requiring separation of working air from motor ventilating air
- Designed to handle clean, dry, filtered air only

TYPICAL MOTOR PERFORMANCE.*

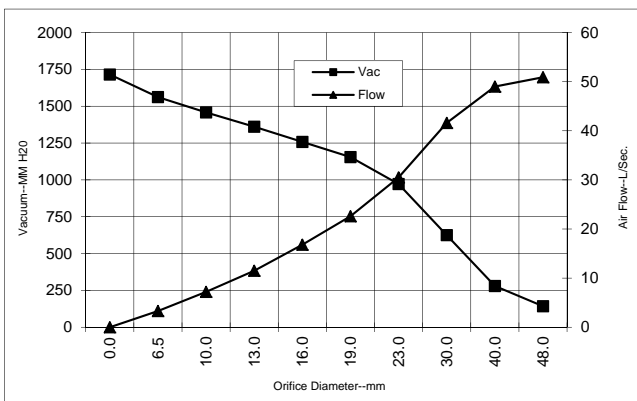
(At 220 volts, 50Hz, test data is corrected to standard conditions of 29.92 Hg, 68° F.)

ASTM DATA



Orifice (Inches)	Amps	Watts (In)	RPM	Vac (In.H2O)	Flow (CFM)	Air Watts
2.000	4.7	1011	22200	4.3	108.2	55
1.750	4.7	1011	22250	7.3	107.4	92
1.500	4.7	1007	22250	12.6	102.2	151
1.250	4.7	1003	22300	21.3	92.4	231
1.125	4.7	994	22350	27.3	84.6	271
1.000	4.6	975	22650	33.7	74.1	293
0.875	4.4	944	23050	39.8	61.5	287
0.750	4.2	906	23650	45.4	48.2	257
0.625	4.0	862	24350	49.7	35.0	204
0.500	3.8	813	25200	54.0	23.2	147
0.375	3.5	762	26250	58.0	13.8	94
0.250	3.3	715	27250	61.7	6.6	48
0.000	3.2	686	28100	67.5	0.0	0

METRIC DATA



Orifice (mm)	Amps	Watts (In)	RPM	Vac (mm H2O)	Flow (L/Sec)	Air Watts
48.0	4.7	1011	22222	143	50.9	71
40.0	4.7	1008	22250	280	49.0	133
30.0	4.7	998	22328	625	41.6	253
23.0	4.4	952	22950	972	30.5	289
19.0	4.2	905	23664	1155	22.6	256
16.0	4.0	864	24322	1258	16.8	206
13.0	3.8	818	25115	1361	11.5	153
10.0	3.6	770	26093	1458	7.2	102
6.5	3.3	717	27200	1562	3.3	50
0.0	3.2	686	28100	1715	0.0	0

Note: Metric performance data is calculated from the ASTM data above.

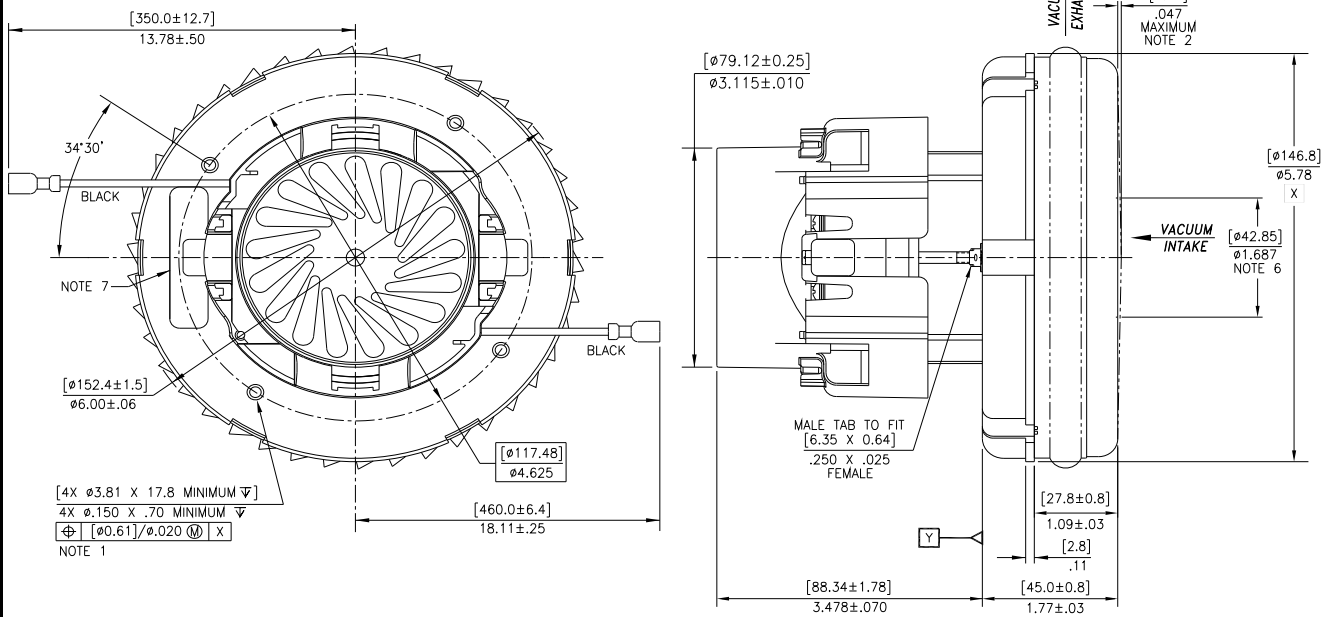
* Data represents performance of a typical motor sampled from a large production quantity. Individual motor data may vary due to normal manufacturing variations.

Test Specs:	220 volts	Minimum Sealed Vacuum:	61.0"	ORIFICE:	7/8 "	Minimum Vacuum:	35.0"	Maximum Watts:	1050
--------------------	-----------	-------------------------------	-------	-----------------	-------	------------------------	-------	-----------------------	------

DIMENSIONS

NOTES:

1. RECOMMENDED SCREW SIZE 10-16 TYPE BT OR TYPE 25 THREAD CUTTING SCREW. MAXIMUM PENETRATION [17.40]/.685.
2. FAN SHELL MAY BOW OUTWARD TO DIMENSION SHOWN BUT MUST NOT BOW INWARD TOWARDS ROTATING FAN.
3. ALLOW [0.0016 SQ M]/2.5 SQ IN FOR COOLING AIR INTAKE.
4. COOLING AIR INTAKE MUST BE SEPERATED FROM COOLING AIR EXHAUST.
5. VACUUM EXHAUST MUST BE SEPERATED FROM COOLING AIR EXHAUST.
6. MOUNTING MUST NOT RESTRICT THIS DIAMETER.
7. MODEL NUMBER, DATE OF MANUFACTURE, UL RECOGNITION CODE, INSPECTORS CODE, MANUFACTURE'S NAME, "MADE IN CHINA", VOLTAGE AND FREQUENCY TO APPEAR ON ASSEMBLY.



IMPORTANT NOTE: Pictorial and dimensional data are subject to change without notice. Contact factory for current revision levels.

WARNING - When using AMETEK Lamb Electric bypass motors in machines that come in contact with foam, liquid (including water), or other foreign substances, the machine must be designed and constructed to prevent those substances from reaching the fan system, motor housing, and electrical components. Lamb Electric vacuum motors other than hazardous duty models should not be applied in machines that come in contact with dry chemicals or other volatile materials. Failure to observe these precautions could cause flashing (depending on volatility) or electrical shock which could result in property damage and severe bodily injury, including death in extreme cases. All applications incorporating Lamb Electric motors should be submitted to appropriate organizations or agencies for testing specifically related to the safety of your equipment.

AMETEK Lamb Electric
 627 Lake Street
 Kent, Ohio 44240
 U.S.A.
 Tel: (330) 673-3451
 Fax: (330) 673-8994

AMETEK GmbH
 Dostojewskistrasse 10
 D-65187 Wiesbaden
 Germany
 Tel: 49-0611-989210
 Fax: 49-0611-9892110

AMETEK Motors (Shanghai) Co., Ltd.
 No. 1 AMETEK Road, Jiu Ting Economic
 Development Zone, Song Jiang, Shanghai
 201615, China
 Tel: 8621-5763-2408
 Fax: 8621-5763-2411